

Electrical / Environmental

- Operating Temperature Range -40°C to +125°C
- Insulation System Class B, 130°C
- Temperature Rise at Irms, Typical 40°C
- Operating Frequency Up to 1MHz



HM71

High Performance Low Cost
Surface Mount Inductors

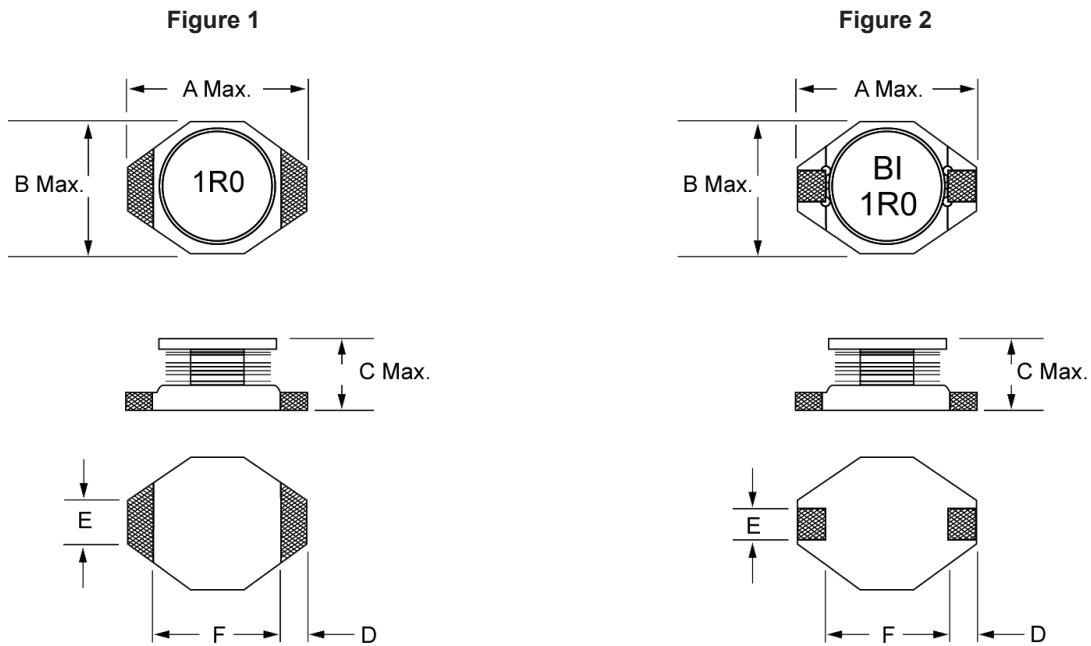


Specifications

Part Number	Inductance (1) μH ± 20%	DCR (2) Ω Max.	I _{sat} (3) Amps	I _{rms} (4) Amps rms	Part Number	Inductance (1) μH ± 20%	DCR (2) Ω Max.	I _{sat} (3) Amps	I _{rms} (4) Amps rms
HM71-101R0LF	1.0	0.05	2.9	2.9	HM71-30330LF	33	0.10	2.0	2.1
HM71-101R5LF	1.5	0.05	2.6	2.8	HM71-30470LF	47	0.14	1.6	1.8
HM71-102R2LF	2.2	0.07	2.3	2.4	HM71-30680LF	68	0.20	1.4	1.5
HM71-103R3LF	3.3	0.08	2.0	2.0	HM71-30101LF	100	0.28	1.2	1.3
HM71-104R7LF	4.7	0.09	1.5	1.5	HM71-30151LF	150	0.40	1.0	1.0
HM71-106R8LF	6.8	0.13	1.2	1.4	HM71-30221LF	220	0.61	0.8	0.8
HM71-10100LF	10	0.16	1.1	1.1	HM71-30331LF	330	1.02	0.6	0.6
HM71-10150LF	15	0.23	0.9	1.2	HM71-30471LF	470	1.27	0.5	0.5
HM71-10220LF	22	0.37	0.7	0.8	HM71-30681LF	680	2.02	0.4	0.4
HM71-10330LF	33	0.51	0.58	0.6	HM71-30102LF	1000	3.00	0.3	0.3
HM71-10470LF	47	0.64	0.50	0.5	HM71-40100LF	10	0.040	8.0	3.5
HM71-10680LF	68	0.86	0.40	0.4	HM71-40150LF	15	0.050	7.0	3.0
HM71-10101LF	100	1.27	0.31	0.3	HM71-40220LF	22	0.066	5.5	2.5
HM71-10151LF	150	2.00	0.27	0.25	HM71-40330LF	33	0.080	4.0	2.0
HM71-10221LF	220	2.65	0.22	0.20	HM71-40470LF	47	0.110	3.8	1.6
HM71-10331LF	330	3.80	0.18	0.16	HM71-40680LF	68	0.170	3.0	1.2
HM71-10471LF	470	5.06	0.16	0.15	HM71-40101LF	100	0.220	2.5	1.2
HM71-10681LF	680	9.20	0.14	0.12	HM71-40151LF	150	0.340	2.0	0.9
HM71-10102LF	1000	13.8	0.10	0.07	HM71-40221LF	220	0.440	1.6	0.7
HM71-20100LF	10	0.11	2.4	2.0	HM71-40331LF	330	0.70	1.2	0.6
HM71-20150LF	15	0.15	2.0	1.5	HM71-40471LF	470	0.950	1.0	0.3
HM71-20220LF	22	0.23	1.6	1.3	HM71-40681LF	680	1.20	1.0	0.2
HM71-20330LF	33	0.30	1.4	1.1	HM71-40102LF	1000	2.00	0.8	0.1
HM71-20470LF	47	0.39	1.0	0.8	HM71-501R0LF	1.0	0.009	20.0	8.6
HM71-20680LF	68	0.66	0.9	0.7	HM71-502R2LF	2.2	0.014	16.0	7.1
HM71-20101LF	100	0.84	0.7	0.6	HM71-503R3LF	3.3	0.015	14.0	6.2
HM71-20151LF	150	1.20	0.6	0.5	HM71-505R6LF	5.6	0.020	12.0	5.3
HM71-20221LF	220	1.90	0.5	0.4	HM71-50100LF	10	0.031	10.0	4.3
HM71-20331LF	330	2.70	0.4	0.3	HM71-50150LF	15	0.036	8.0	4.0
HM71-20471LF	470	4.00	0.3	0.2	HM71-50220LF	22	0.047	7.0	3.5
HM71-20681LF	680	5.30	0.2	0.1	HM71-50330LF	33	0.066	5.5	3.0
HM71-20102LF	1000	8.40	0.1	0.05	HM71-50470LF	47	0.086	4.5	2.6
HM71-301R0LF	1.0	0.009	9.0	6.8	HM71-50680LF	68	0.130	3.5	2.3
HM71-301R5LF	1.5	0.010	8.0	6.4	HM71-50101LF	100	0.190	3.0	1.8
HM71-302R2LF	2.2	0.012	7.0	6.1	HM71-50151LF	150	0.250	2.6	1.5
HM71-303R3LF	3.3	0.015	6.4	5.4	HM71-50221LF	220	0.380	2.4	1.2
HM71-304R7LF	4.7	0.018	5.4	4.8	HM71-50331LF	330	0.560	1.9	1.0
HM71-306R8LF	6.8	0.027	4.6	4.4	HM71-50471LF	470	0.850	1.4	0.82
HM71-30100LF	10	0.038	3.8	3.9	HM71-50681LF	680	1.10	1.2	0.72
HM71-30150LF	15	0.046	3.0	3.1	HM71-50102LF	1000	1.80	1.0	0.56
HM71-30220LF	22	0.085	2.6	2.7					

- Notes: (1) Inductance is measured at 100 kHz, 0.1 Vrms.
 (2) DC resistance is measured at 20°C.
 (3) I_{sat} is the saturation current at which inductance rolls off approximately 10%.
 (4) I_{rms} is the approximate current at which ΔT = 40°C.

Outline Dimensions (Inch/mm) / Packaging



Recommended Solder Pad Layouts



Case size	Figure	A	B	C	D	E	F	G	H	I	Reel Diameter	Reel Capacity
10	1	.260 6.60	.175 4.45	.115 2.92	.040 1.02	.050 1.27	.170 4.32	.160 4.06	.055 1.40	.140 3.56	7"	500 Units
20	2	.510 12.95	.370 9.40	.118 3.00	.100 2.54	.100 2.54	.300 7.62	.290 7.37	.115 2.92	.110 2.79	13"	1500 Units
30	2	.510 12.95	.370 9.40	.213 5.40	.100 2.54	.100 2.54	.300 7.62	.290 7.37	.115 2.92	.110 2.79	13"	500 Units
40	2	.510 12.95	.370 9.40	.450 11.43	.100 2.54	.100 2.54	.300 7.62	.290 7.37	.115 2.92	.110 2.79	13"	250 Units
50	2	.730 18.54	.600 15.24	.280 7.11	.100 2.54	.100 2.54	.500 12.70	.490 12.45	.115 2.92	.110 2.79	13"	350 Units

Ordering Information

